



STAINLESS STEEL PRODUCT RANGE

We make it *possible*

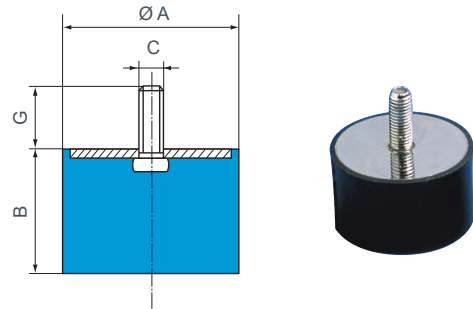
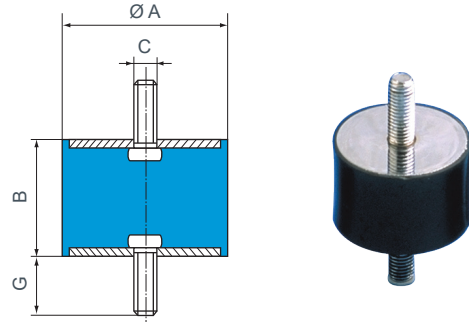


ELASTOMER MOUNT

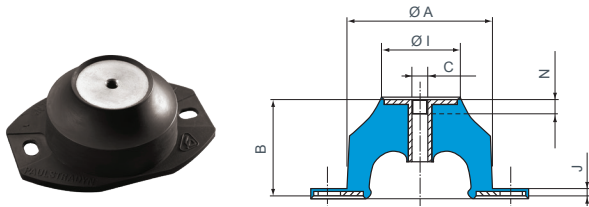
Reference	Max load (daN)	Ø A (mm)	B (mm)	C	G (mm)
52129811	15	16	25	M5	15
52129721	30	20	20	M6	16,5
52129911	30	20	25	M6	16,5
52165311	50	25,5	30	M6	18
52134411	50	25,5	40	M8	20
52131021	80	30	22	M8	25
52131221	70	30	30	M8	25
52140111	150	40	28	M10	25
52145411	120	40	40	M10	25
52158021	300	50	25	M10	25
52158111	250	50	35	M10	25
52158211	190	50	45	M10	25

Reference	Max load (daN)	Ø A (mm)	B (mm)	C	G (mm)
51129212	20	16	10	M5	12
51115811	80	25	10	M6	18
51131201	70	30	30	M8	25

430 Stainless steel Radiaflex

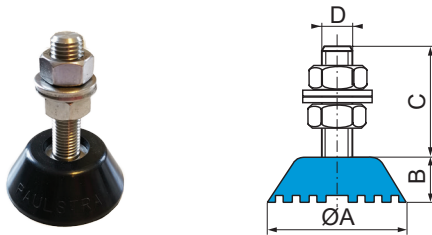


316L Stainless steel Paulstradyn



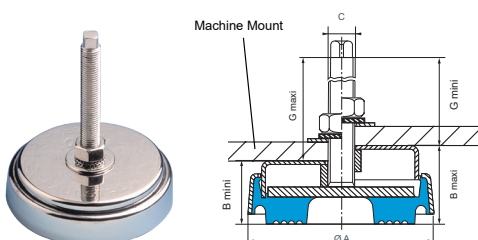
Reference	Max Load (daN)	Dimensions (mm)					
		Ø A	B	C	Ø I	J	N
53370611	50	60	40	M6	31	2,5	6

304L Stainless steel Minifix



Reference	Load range (daN)	Hardness	Colour	Ø A (mm)	B (mm)	C (mm)	D
530806-50	10-40	50 SBR	grey black	46	15	38	M10 stud
530806-80	25-100	80 Nitrile	grey black	46	15	38	M10 stud

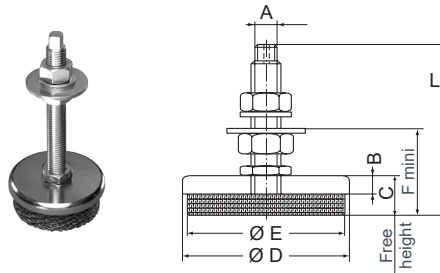
304L Stainless steel Nivofix



Reference	Load Range (daN)	Ø A (mm)	B (mm)			C	G (mm)		Stud lenght (mm)
			B maxi = B mini + adjustment				min.	maxi.	
530815	100 - 600	65	31,5	26,5	5	M12	105	110	128
530825	325 - 1 300	88	46	33	13	M16	114	127	150
530835	650 - 2 600	133	58	46	12	M20	130	142	173

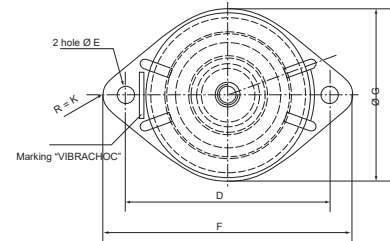
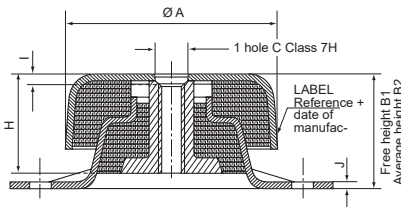
METAL MOUNTING

316 Stainless Steel PDM-1000 / PDM-2000



Reference	Load Range (daN)	A	B (mm)	C (mm)	Ø D (mm)	Ø E (mm)	F (mm)	L (mm)
PDM-1000-01	200 à 1 000	M12 M16	18	27	80	73	52	156
PDM-2000-01	800 à 2 000	M16 M20	15	30	128	120	62	197

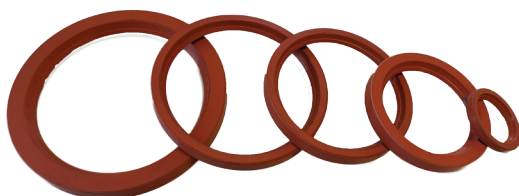
304 Stainless steel V1H-6000 / V1H-6100



Reference	Ø A (mm)	B1 (mm)	B2 (mm)	C	D (mm)	Ø E (mm)	F (mm)	Ø G (mm)	H (mm)	I (mm)	J (mm)	K (mm)
V1H-6000*	105	62	57	M12	130	11	160	110	50	5	3	15
V1H-6100*	82	56	51	M10	98	9	120	85	46	3	2	11

Reference	Load range (daN)	Weight (kg)	Max dynamic effort (daN)		
			Axial compression	Axial traction	Radial
V1H-6100-21NX V1H-6100-01NX V1H-6100-02NX V1H-6100-03NX	15 to 40 25 to 75 50 to 150 100 to 250	0,65	120 225 450 750	120 225 450 750	120 225 450 750
V1H-6000-21NX V1H-6000-01NX V1H-6000-02NX V1H-6000-03NX	30 to 75 50 to 150 100 to 300 200 to 500	1,6	225 450 900 1500	225 450 900 1500	225 450 900 1500

SEALS FOR ROTATING SHAFTS



All our FKM seals include a stainless steel spring.

SERVICES

TECHNICAL RECOMMENDATIONS

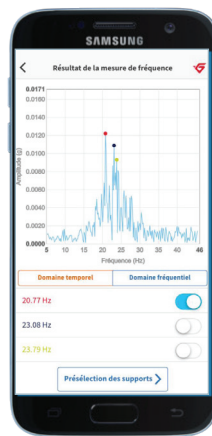
The Hutchinson Paulstra's commercial team support you in the right choice of product for your project.

Thanks to our technical recommendations software, our experts analyse your data to extract a transmissibility curve.

PAULSTRASOFT MOBILE APPLICATION

The Paulstrasoft Mobile application allows to measure the vibratory frequency of a machine in operation and to recommend a suitable antivibration support.

It is free to use and download on the App Store (iOS) and the Play Store (Android).



PaulstraSoft
MOBILE



VIBRO-ACOUSTIC ANALYSIS

Hutchinson Paulstra brings you its experience for the “in situ” measurement, in order to give a “vibroacoustic” diagnostic of your installation as well as in the implementation of solutions in your environment.

Our services :

- On-site displacement
- Vibratory and acoustic recording
- Analyzing of the results in our place
- A detailed report
- Proposing and supplying the antivibration and acoustic solutions



Paulstra SNC - France
61, rue Marius Aufan
92309 Levallois-Perret Cedex

Tél. : +33 1 40 89 53 31
indus.paulstra@hutchinson.com
www.paulstra-industry.com